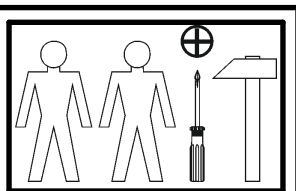
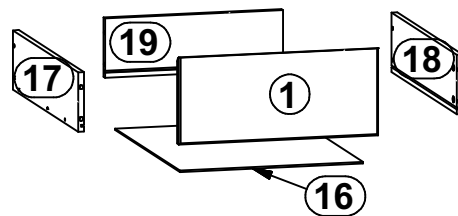
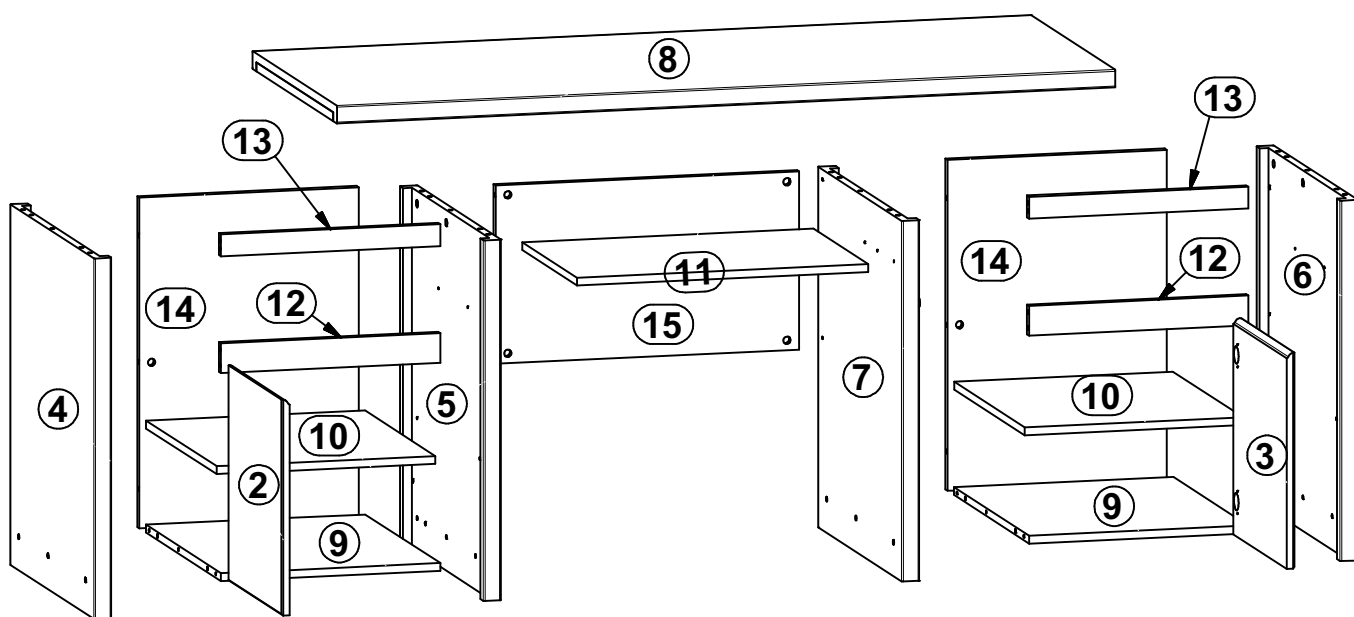
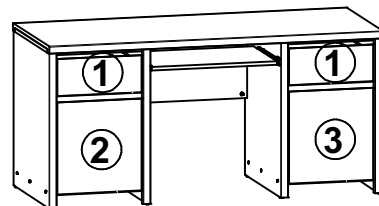


KASPIAN 2

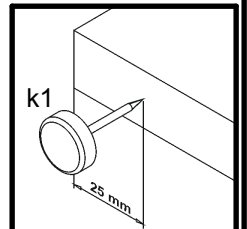
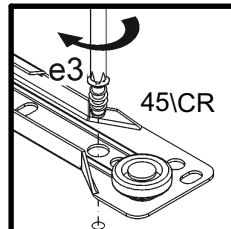
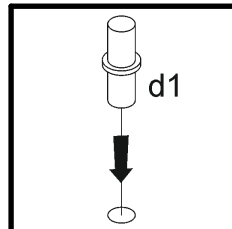
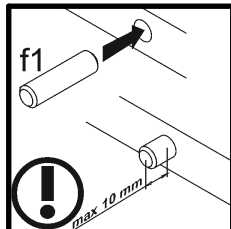
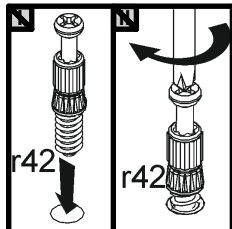
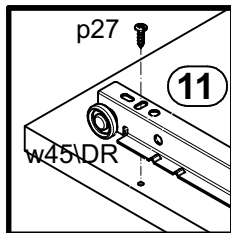
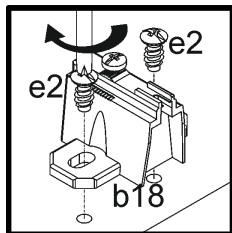
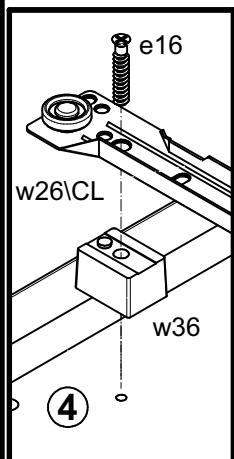
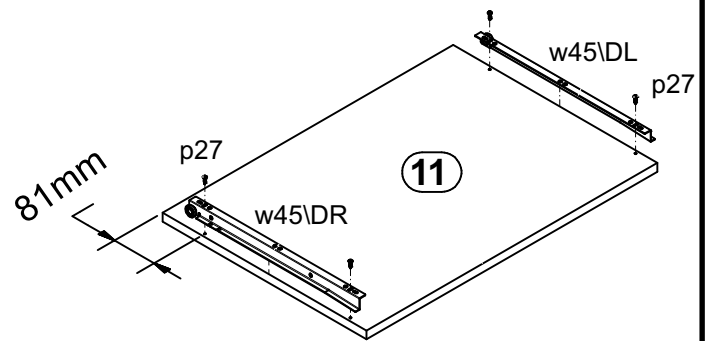
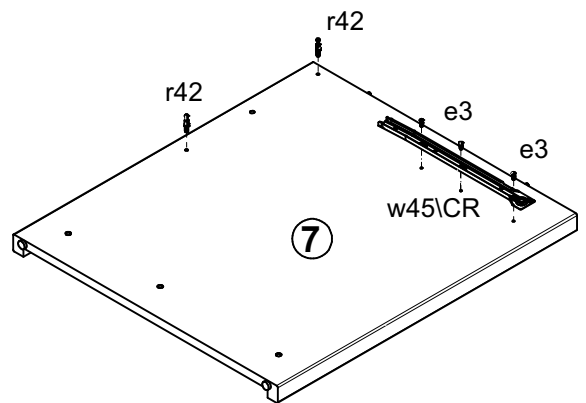
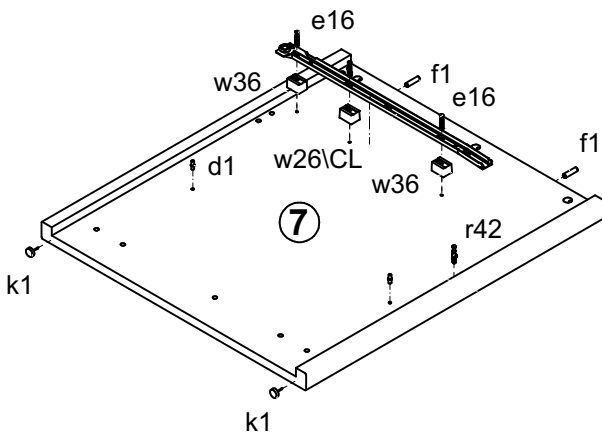
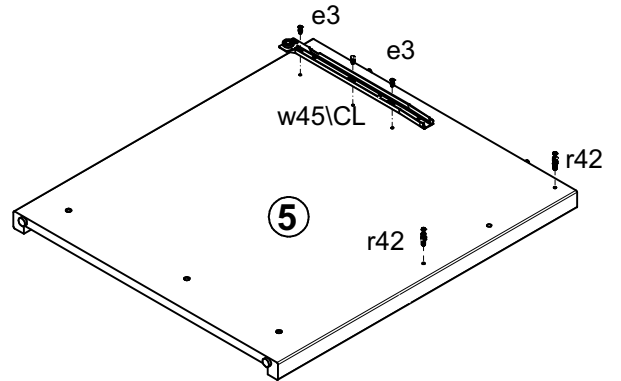
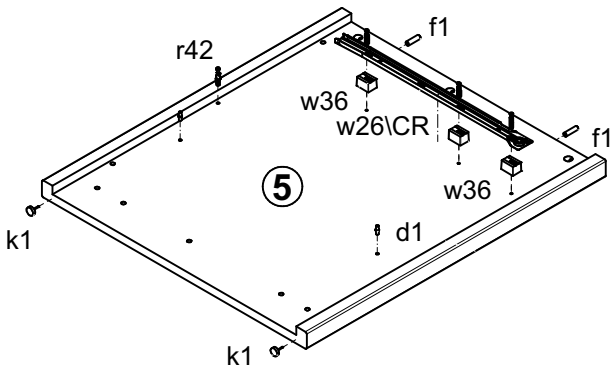
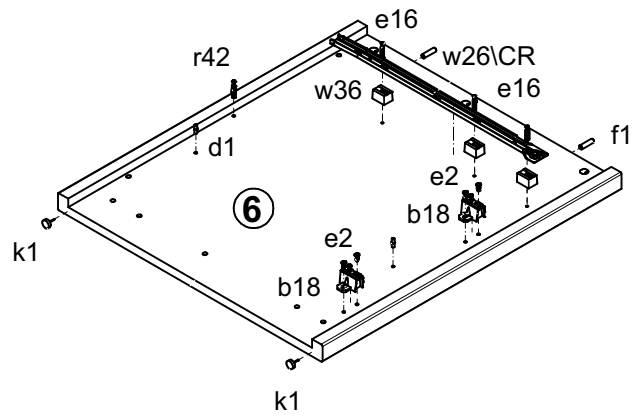
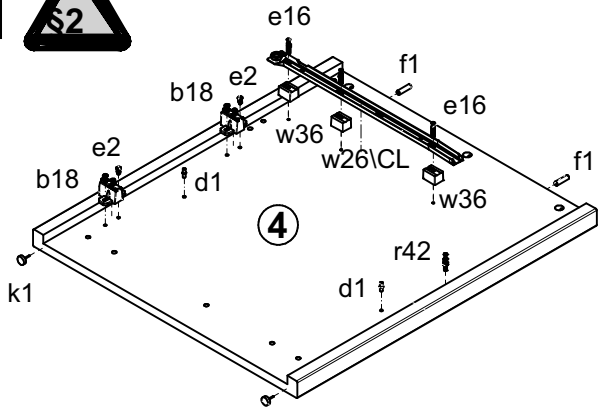
S128-BIU2D2S/160

A	B	C		D	A	B	C		D
1	S128-0019	410	176	4/4	11	S128-320	599	420	2/4
2	S128-020	410	436	4/4	12	S128-411	451	60	3/4
3	S128-021	410	436	4/4	13	S128-412	451	44	3/4
4	S128-136	728	644	1/4	14	S128-413	668	451	1/4
5	S128-137	728	644	1/4	15	S128-414	624	360	3/4
6	S128-138	728	644	1/4	16	S128-9921	368	498	2/4
7	S128-139	728	644	1/4	17	BP-501	500	120	2/4
8	S128-211	1600	650	2/4	18	BP-502	500	120	2/4
9	S128-318	451	576	3/4	19	ZP-5509	358	120	2/4
10	S128-319	450	540	3/4					

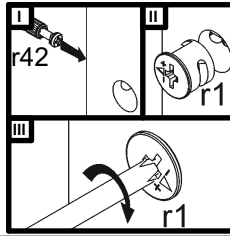
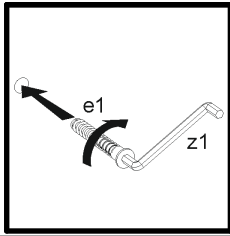
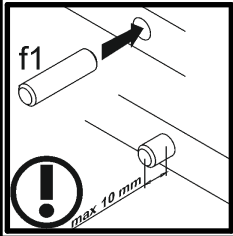
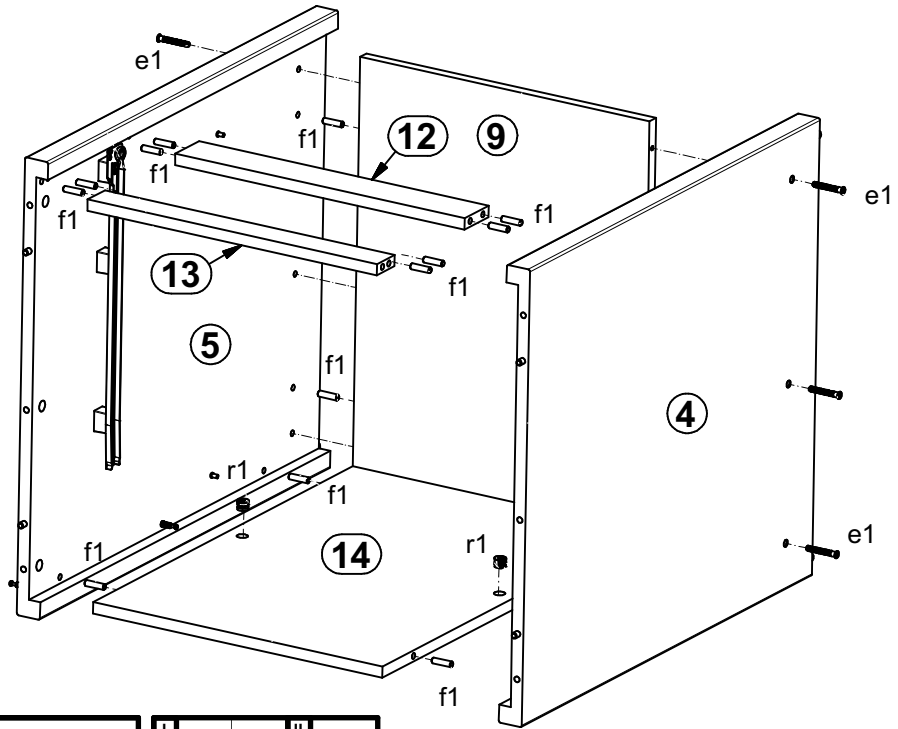


4x a43	4x b18	8x d1 φ5x17 mm	12x e1 φ7x50 mm	12x e16 φ6x30 mm	12x e19 φ5x9 mm	8x e2 φ6,3x13 mm	6x e3 φ6x13 mm	42x f1 φ8x30 mm
8x f25 φ6,5x40 mm	8x k1	4x p27 φ3,5x13 mm	8x p51 φ3,5x15 mm	28x r1 φ1,5x12mm #16	28x r42	2x w26\CL 500 mm	2x w26\CR 500 mm	2x w26\DL 500 mm
2x w26\DR 500 mm	12x w36 h=18 mm	1x w45\CL 350 mm	1x w45\CR 350 mm	1x w45\DL 350 mm	1x w45\DR 350 mm	1x z1	12x s1	8x s2 ø16

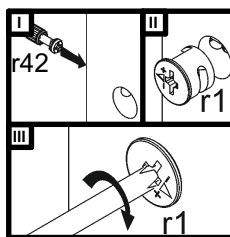
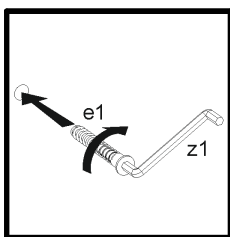
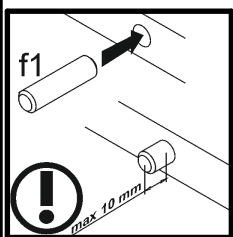
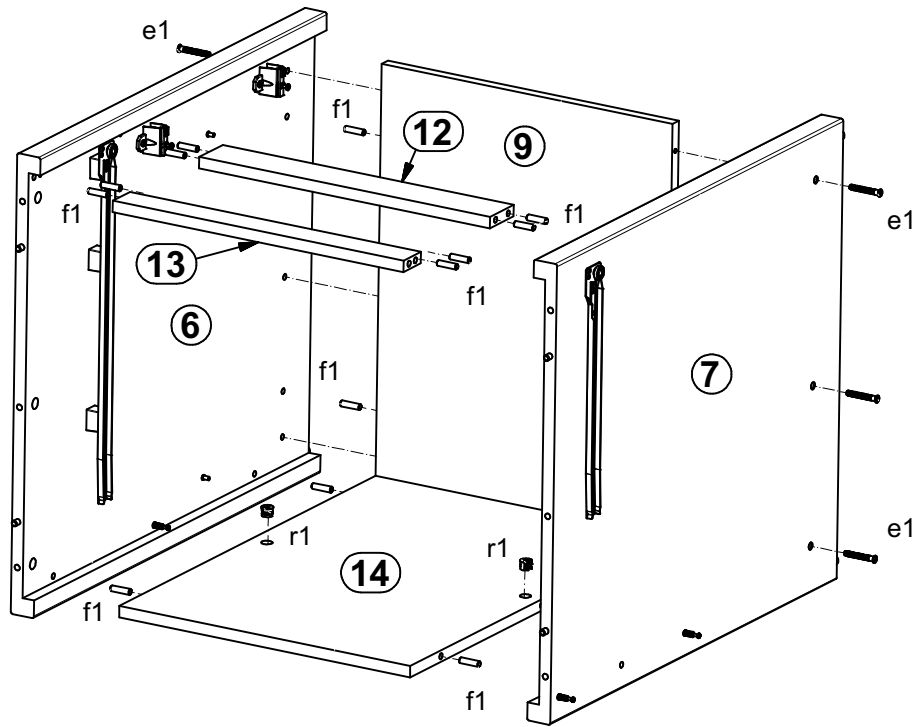
1



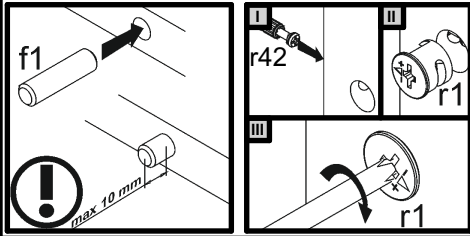
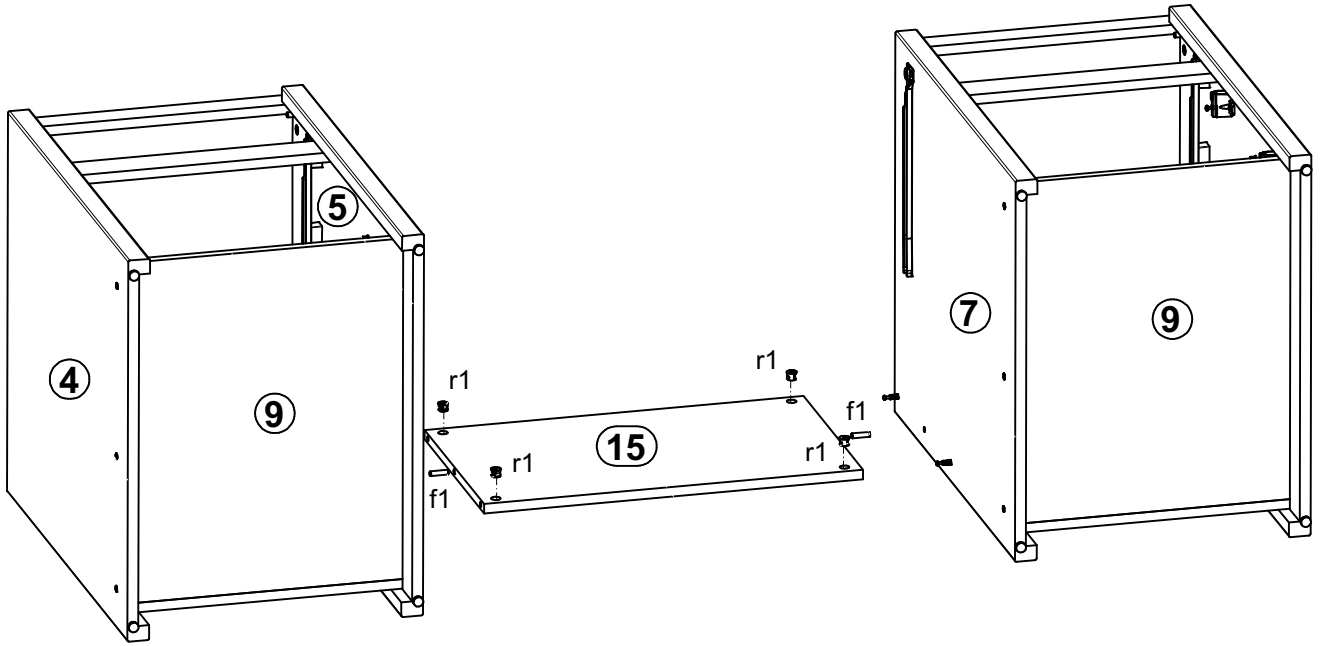
2



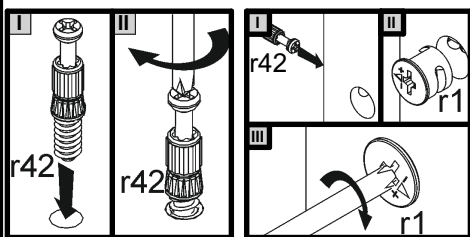
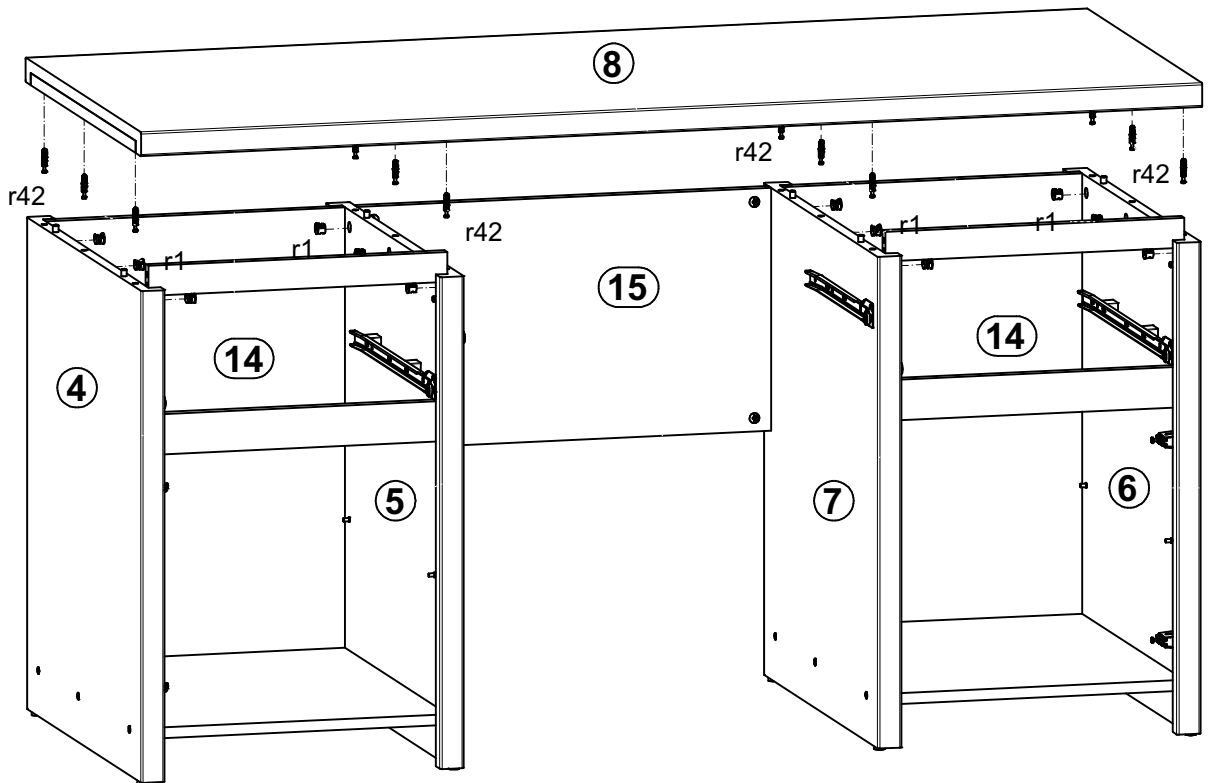
3



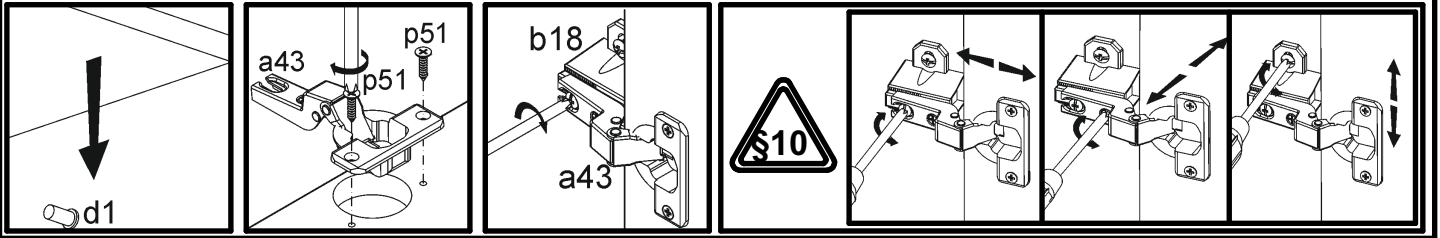
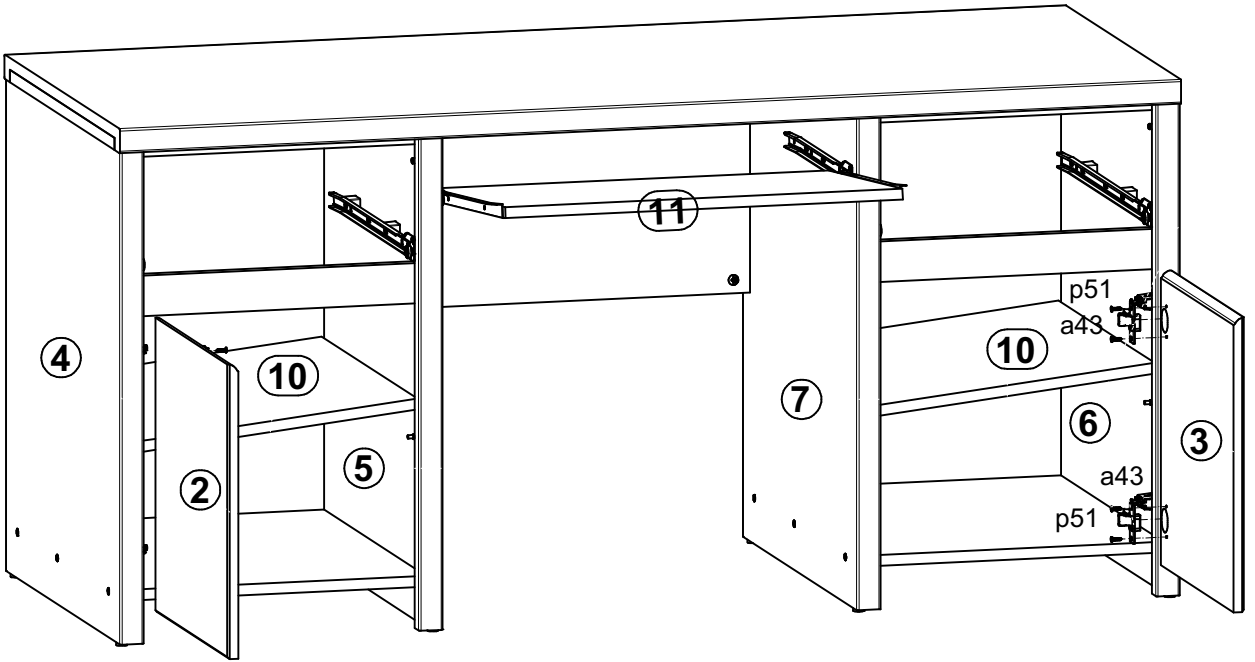
4



5



6



7

